

# BP010 Datasheet

BACK PRESSURE REGULATOR



Gas  Liquid |  Diaphragm  Piston |  Self-Venting  Non-Venting | Max Rating: 10 bar (145 psi) | Control Range: 5 bar (75 psi) | Cv 0.1



## INTRODUCING THE BP010...

The BP010 is an elastomeric diaphragm-sensed back pressure regulator, offering sensitive control.

Featuring a spring-loaded design, the BP010 offers a bolted bonnet for simplified servicing through its top access. In addition, its threaded bonnet comes as standard for optional panel mounting.

A sub-atmospheric version is also available which can be used to control a negative pressure upstream of the regulator - please ask for details.

## SPECIFICATION

Max. Rating	10 bar (145 psi)
Control Range	Up to 5 bar (75 psi)
Design Proof Pressure	150% max. working pressure
Seat Leakage	In accordance with ANSI/FCI 70-3
Weight	1kg (2.2lbs)

## STANDARD MATERIALS OF CONSTRUCTION

PART	MATERIALS
Body and Bonnet	ASTM A479 316/316L Stainless Steel (UNS S31600/S31603)
Main Valve Pin	ASTM A479 316/316L Stainless Steel
Soft Seat	PCTFE (Kel-F)
Diaphragm	PTFE-Lined Elastomeric
Handwheel	Nylon
O-Rings	FKM/FPM (Viton)
Loading Spring	ASTM A240 301 Stainless Steel (UNS S30100)

Note: Pressure regulator rating may be limited by connection type, Cv and/or seat material. Contact the office for specific pressure or temperature requirements.

## FEATURES AND BENEFITS

### 1 ELASTOMERIC DIAPHRAGM-SENSED DESIGN

For sensitive pressure control.

### 2 TEFLON™ LINED DIAPHRAGM

Offers a good chemical resistance.

### 3 BOLTED BONNET

Simplified servicing through top access.

### 4 316SS THREADED BONNET

For panel mounting option as standard.

NOTE: Product availability and specifications contained herein are subject to change without notice. Consult local distributor or factory for potential revisions and/or service related issues. Pressure Tech Ltd support with product selection recommendations only - it is the users responsibility to ensure the product is suitable for their specific application requirements.



#### PRESSURE TECH LTD

Unit 24, Graphite Way, Hadfield, Glossop, Derbyshire, UK, SK13 1QH

+44 (0)1457 899 307 | [sales@pressure-tech.com](mailto:sales@pressure-tech.com) | [www.pressure-tech.com](http://www.pressure-tech.com)

DESIGNED, MANUFACTURED AND BUILT IN THE UK

© 2025 Pressure Tech Ltd. All Rights Reserved.

190325

PAGE:  
1 OF 4

# BP010 Datasheet

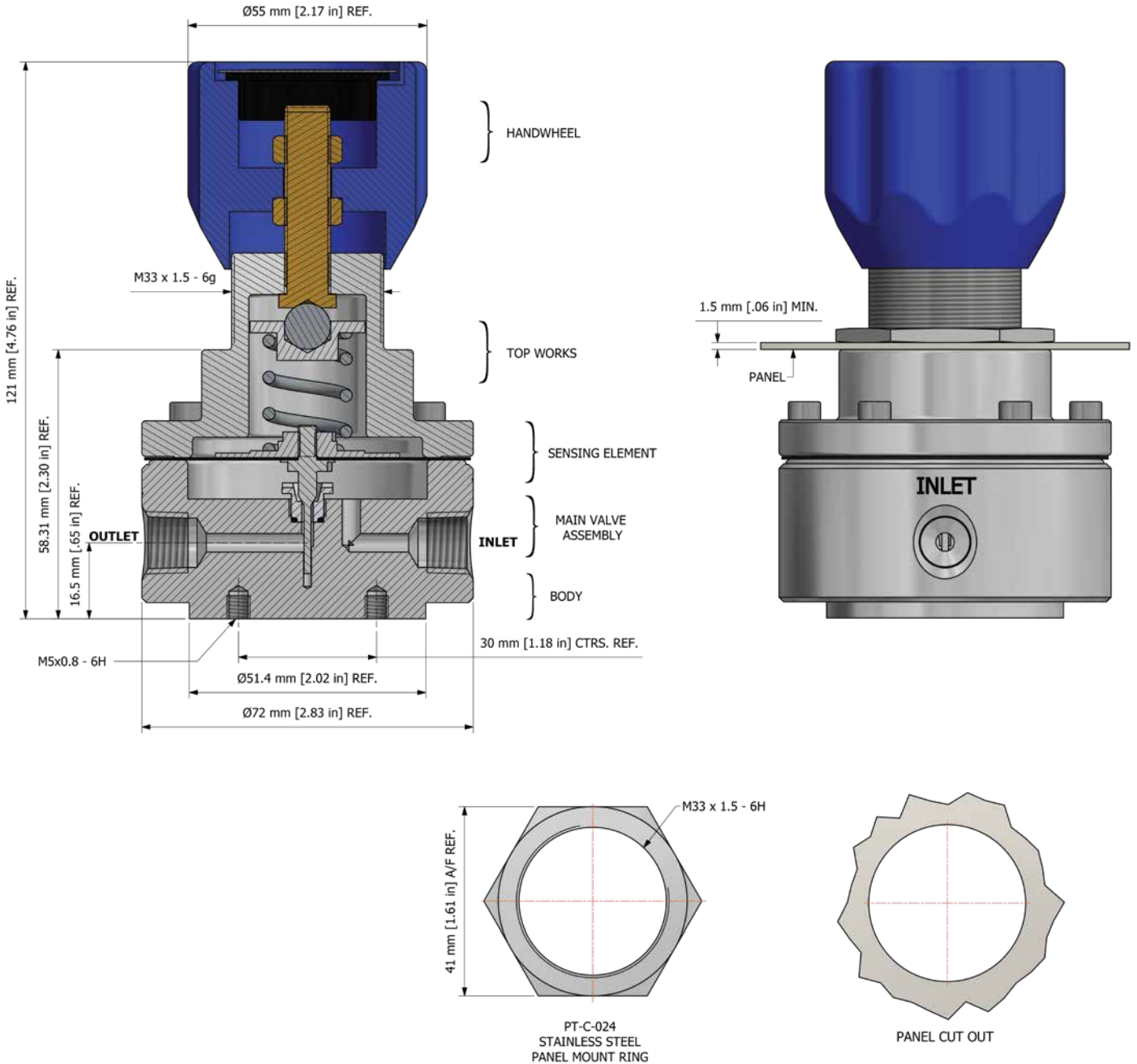
BACK PRESSURE REGULATOR



Gas  
  Liquid  
 |  
  Diaphragm  
  Piston  
 |  
  Self-Venting  
  Non-Venting  
 |  
 Max Rating: 10 bar (145 psi)  
 |  
 Control Range: 5 bar (75 psi)  
 |  
 Cv 0.1

## DRAWINGS AND INSTALLATION DIMENSIONS

Dimensions shown for 1/4" NPT option and standard configurations only - please contact the office for other options.



**Note:**  
All gauge ports are 1/4" NPT as standard.

**NOTE:** Product availability and specifications contained herein are subject to change without notice. Consult local distributor or factory for potential revisions and/or service related issues. Pressure Tech Ltd support with product selection recommendations only - it is the users responsibility to ensure the product is suitable for their specific application requirements.



**PRESSURE TECH LTD**  
 Unit 24, Graphite Way, Hadfield, Glossop, Derbyshire, UK, SK13 1QH  
 +44 (0)1457 899 307 | [sales@pressure-tech.com](mailto:sales@pressure-tech.com) | [www.pressure-tech.com](http://www.pressure-tech.com)  
**DESIGNED, MANUFACTURED AND BUILT IN THE UK**  
 © 2025 Pressure Tech Ltd. All Rights Reserved.

# BP010 Datasheet

BACK PRESSURE REGULATOR

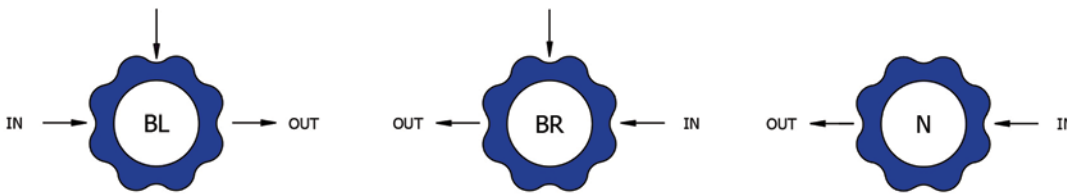


Gas  Liquid |  Diaphragm  Piston |  Self-Venting  Non-Venting | Max Rating: 10 bar (145 psi) | Control Range: 5 bar (75 psi) | Cv 0.1

## FLOW CURVE

Please contact the office for further information.

## PORTING CONFIGURATIONS



**Note:**

Additional porting configurations are available - please contact the office for further information.

**NOTE:** Product availability and specifications contained herein are subject to change without notice. Consult local distributor or factory for potential revisions and/or service related issues. Pressure Tech Ltd support with product selection recommendations only - it is the users responsibility to ensure the product is suitable for their specific application requirements.



**PRESSURE TECH LTD**

Unit 24, Graphite Way, Hadfield, Glossop, Derbyshire, UK, SK13 1QH  
+44 (0)1457 899 307 | [sales@pressure-tech.com](mailto:sales@pressure-tech.com) | [www.pressure-tech.com](http://www.pressure-tech.com)

**DESIGNED, MANUFACTURED AND BUILT IN THE UK**

© 2025 Pressure Tech Ltd. All Rights Reserved.

190325

PAGE:  
3 OF 4

# BP010 Datasheet

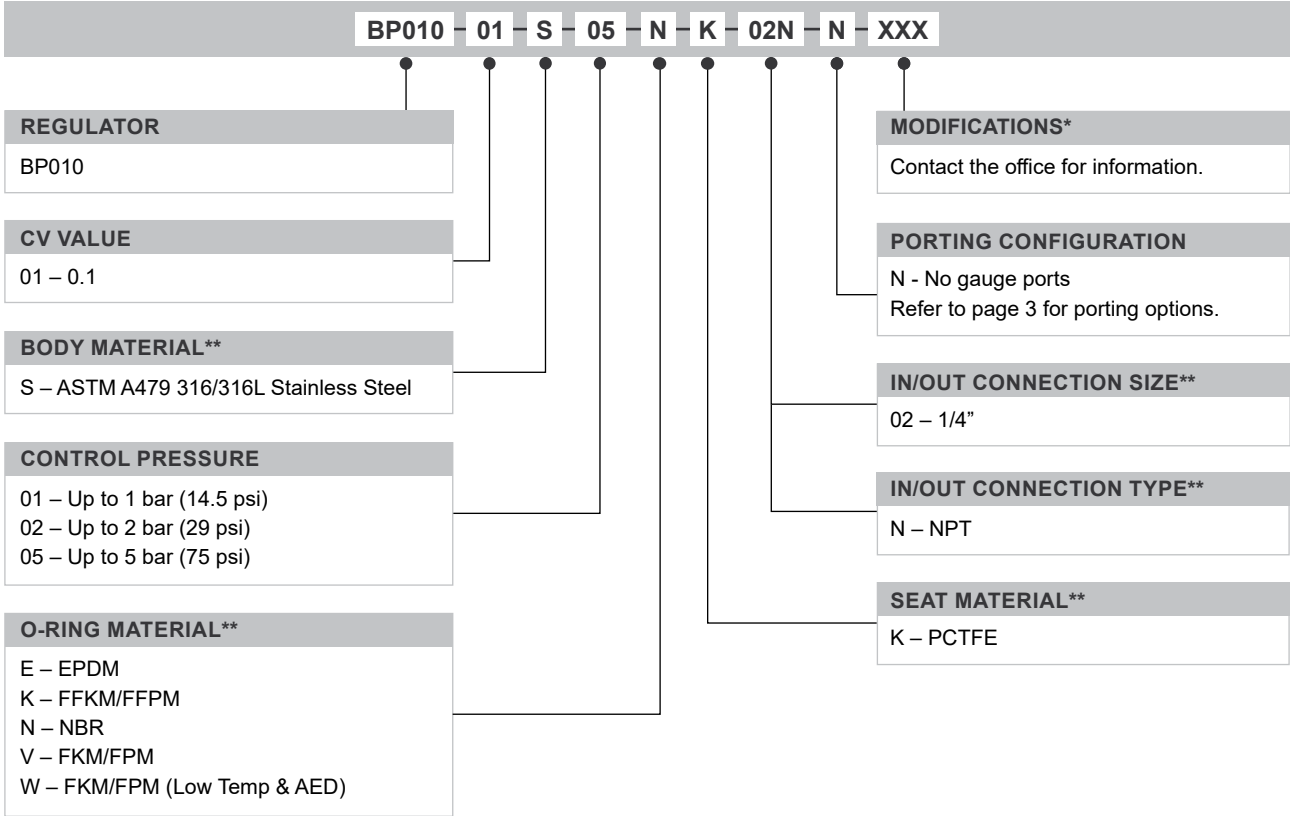
BACK PRESSURE REGULATOR



Gas  
  Liquid  
 |  
  Diaphragm  
  Piston  
 |  
  Self-Venting  
  Non-Venting  
 |  
 Max Rating: 10 bar (145 psi)  
 |  
 Control Range: 5 bar (75 psi)  
 |  
 Cv 0.1

## ORDERING INFORMATION

To build a Pressure Tech part number, simply combine the characters identified below in sequence:



### OPTIONAL EXTRAS

	PART NUMBER	DESCRIPTION
Service Kit	SRK-BP010...	Various options available
Panel Mounting Ring	PT-C-024	Stainless Steel panel mount ring

*Note:* Ancillary equipment also available

\* Where applicable  
 \*\* Other materials/connections may be available

**NOTE:** Product availability and specifications contained herein are subject to change without notice. Consult local distributor or factory for potential revisions and/or service related issues. Pressure Tech Ltd support with product selection recommendations only - it is the users responsibility to ensure the product is suitable for their specific application requirements.



**PRESSURE TECH LTD**  
 Unit 24, Graphite Way, Hadfield, Glossop, Derbyshire, UK, SK13 1QH  
 +44 (0)1457 899 307 | [sales@pressure-tech.com](mailto:sales@pressure-tech.com) | [www.pressure-tech.com](http://www.pressure-tech.com)  
**DESIGNED, MANUFACTURED AND BUILT IN THE UK**  
 © 2025 Pressure Tech Ltd. All Rights Reserved.